

CHAMPION-1000

Hood-type
High Temperature
Dishwashing Machine

Champion®

The Dishwashing Machine Specialists



QUICK FACTS

| | |
|---|---------------|
| Capacities | |
| Racks per hour | 50 |
| Motor horsepower | 1.2 Hp |
| Water consumption | |
| Gal. per rack US gal. (imp gal./liters) | 1.06 (0.87/4) |
| Gal. per hr. (max. use) US gal. (imp.gal./liters) | 76 (63/200) |
| Temperatures °F/°C | |
| Wash | 131/55 |
| Rinse | 185/85 |
| Time cycle in seconds | |
| Wash | 28 |
| Dwell | 3 |
| Rinse | 17 |
| Total cycle | 50 |
| Heating kW | |
| Electric tank heater | 2.7 |
| Electric boiler heater | 9 |

Built-in Dependability

CHAMPION-1000 is designed for maximum efficiency, using very little space, water or energy. Components designed for reliability and low maintenance.

Versatility

The glass-washer / dishwasher CHAMPION 1000 is one of the most versatile instruments.

Easy to Install

Least overall dimensions, simple and intuitive instrumentation, washing process entirely automatic

Field Convertible to Corner Model

It can be installed with tables both in line and to angle to exploit at the most the space and to facilitate the use to the operator.

Save on Water and Detergent

Recirculating wash is replenished by final rinse, so only 0.87 (4 liters) gallons of fresh water and less detergent are needed to process one rack.

Standard Features

- Machine fully assembled, ready to install
- Machine completely built in steel
- Balanced door lift system
- Stainless steel interchangeable upper and lower spray arms
- 1.2HP pump motor
- Door safety switch
- Rinse aid dispenser
- 2.7kW tank heater
- 2 racks - mm 500x500
- 1 glasses rack

CHAMPION-1000

Hood-type
High Temperature
Dishwashing Machine

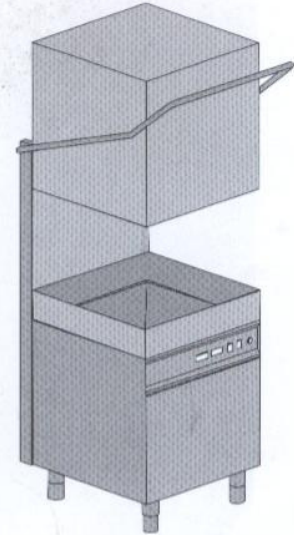
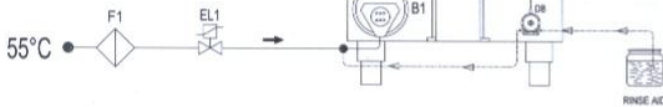
Dimensions shown in inches and [millimeters]

Volume: 32.8cu.ft./0.93 cu.m.

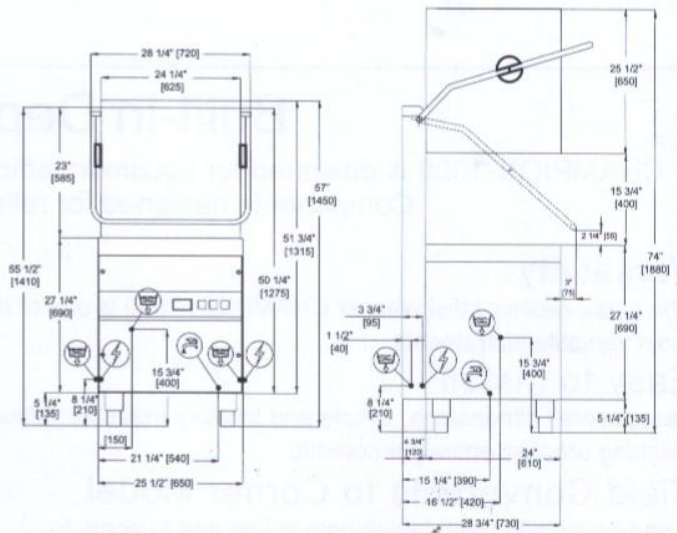
Distance between tables: 25-1/2"/650 mm.

| INITIAL | DESCRIPTION |
|---------|---------------------------|
| F1 | FILTER |
| B1 | BOILER |
| PL | WASH/PUMP |
| DB | RINSE AND DRAINING DEVICE |
| SC1 | DRAINING |
| EL1 | HOT WATER SOLIDITY VALVE |

⇨ RINSING CYCLE
→ WASHING CYCLE



| | | | |
|--|------------------------------|---|---------------------------|
| CONSUMI ACQUA WASSERVERBRAUCH WATER CONSUMPTION PER CYCLE CONSUMPTION EAU PAR CYCLE | 1,06-Gal-per-rack 4,0-Lit | ALTEZZA UTILE PORTA NUEZHOHE DERTURH USEFUL DOOR HEIGHT HAUTER UTILE DE LA PORTE | 15 3/4" 400-mm |
| RESISTENZA VASCA TANKHEIZUNG TANK HEATING ELEMENT RESISTANCE CUVE | 2700 W | POTENZA LEISTUNG POWER PUISSANCE | 10,2-Kw |
| RESISTENZA BOILER BOILERHEIZUNG BOILER HEATING ELEMENT RESISTANCE SURCHAUFFEUR | 9000-W | MISURE CESTO KORBMASSE RACK DIMENSIONS DIMENSIONS DU PANIER | 19 3/4" 500x500 |
| CAPACITA BOILER BOILER FASSUNGSVERMOEGEN BOILER CAPACITY CAPACITE SURCHAUFFEUR | 2,5-Gal 9,5-Lit | DOTAZIONE CESTI KORBE AUSTRUESTUNG RACKS INCLUDED PANIERIS INCLUS | 2xC40 1xC44 2x15060 |
| PESO NETTO GEWICHT POIDS NET NET WEIGHT | 275-lbs 125 Kg | TEMPERATURA LAVAGGIO WASCHTEMPERATUR WASHING TEMPERATURE TEMPERATURE DU LAVAGE | 131°F 55°C |
| CAPACITA VASCA TANK-FASSUNGSVERMOEGEN CAPACITE CUVE TANK CAPACITY | 8,45-Gal 32-Lit | TEMPERATURA DI RISCIAQUO SPUELUNGS TEMPERATUR RINSING TEMPERATURE TEMPERATURE DU RINCAGE | 185°F 85°C |
| TEMPO CICLO KREISPROZESS CYCLE TIME TEMPS DU CYCLE | 50" | POMPA WASCHPUMPE WASH PUMP POMPE LAVAGE | 1,2-HP |



WATER INLET 3/4" GAS



WATER DRAIN 1-1/4" G



ELECTRIC CONNECTION
ELECTRICAL: 220/60/1, 46.0 Machine Load Amps
ELECTRICAL: 230/50/1, 45.0 Machine Load Amps

Warning: Plumbing and electrical connection should be made by qualified personnel who will observe all the applicable plumbing, sanitary and safety codes and the National Electrical Code.

Plumbing Note: Because of the variation in house-supplied water and steam pressure, pressure regulating valves (PRV's) or incoming water and steam supply are needed. The PRV's can be purchased from Champion or obtained locally.

Note: Water Hammer Arrestor (meeting ASSE-1010 standard or equivalent) to be supplied (by others) in common water supply line at service connection.



Due to an ongoing value analysis program at Champion, specifications in this catalog are subject to change without notice.

Champion Industries, Inc., P.O. Box 4149, Winston-Salem, NC 27115 · 336/661-1556 · Fax:336/661-1979 · www.championindustries.com